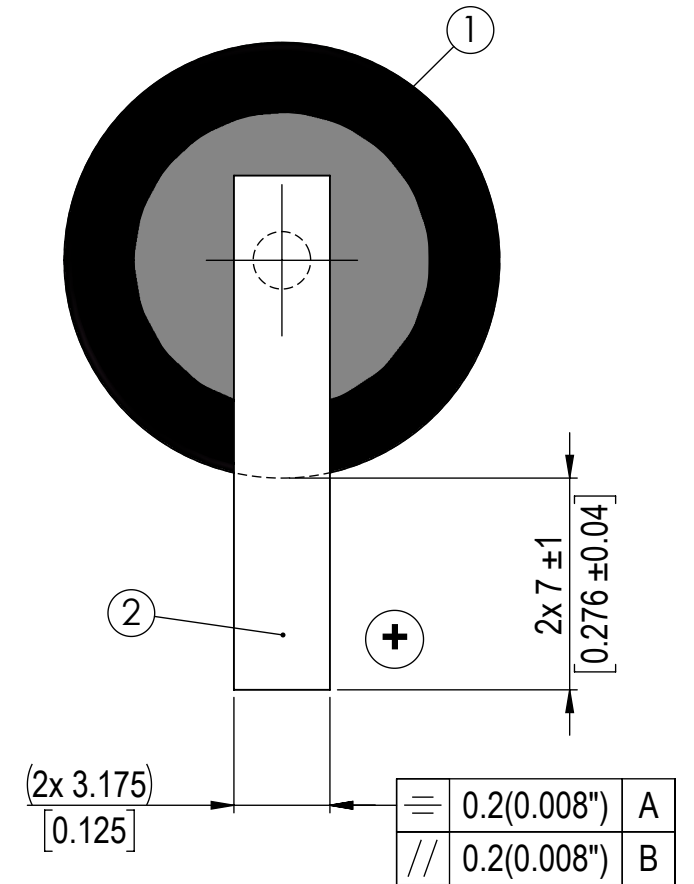
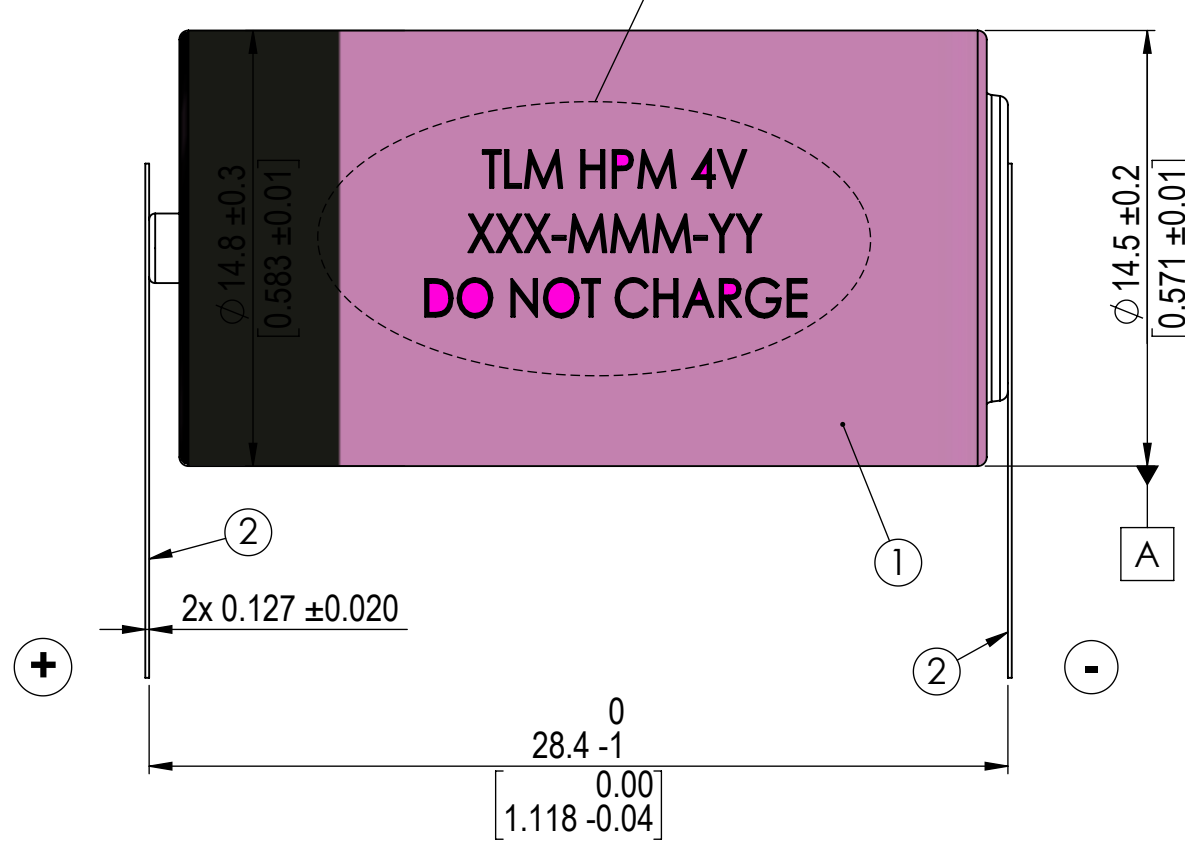
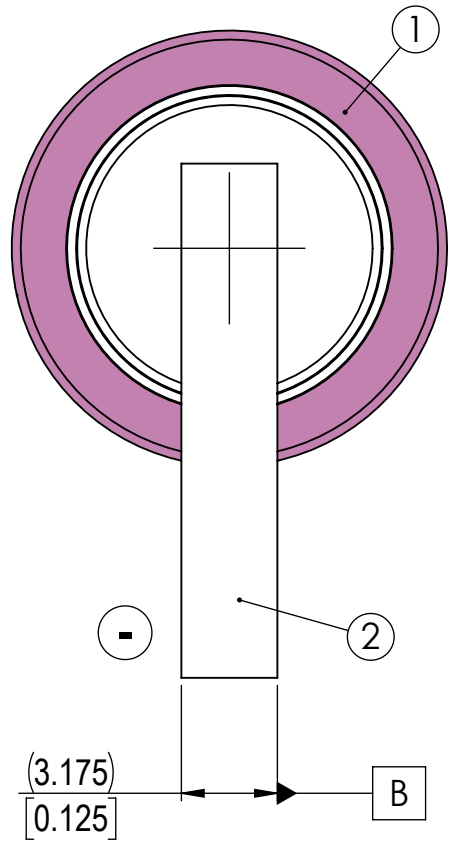


WARNING!
 ALL THE INFORMATION CONTAINED IN THIS DOCUMENT OR DISCLOSED BY IT IS THE PROPERTY OF TADIRAN BATTERIES LTD. AND MAY NOT BE USED WITHOUT ITS WRITTEN AUTHORIZATION.

LEGEND:
 TLM-HPM - CELL MODEL
 4V - NOMINAL VOLTAGE
 XXX - BATCH CODE
 MMM-YY - PRODUCTION DATE

REV.	DESCRIPTION	E.C.N.	DATE	DRAWN	CHECKED
A	NEW DRAWING	6103297	07/12/2017	PETER	KARIN



ELECTRICAL CHARACTERISTICS:

- 1) OPEN CIRCUIT VOLTAGE: 3.95V TO 4.07
- 2) CLOSED CIRCUIT VOLTAGE @0.1SEC 225mA: 3.88V MIN.
- 3) DISCHARGE CAPACITY TO 2.8V @9mA: 225mAh
- 4) DISCHARGE CAPACITY TO 2.8V @225mA: 190mAh
- 5) MAX. DISCHARGE CURRENT FOR 1SEC PULSE TO 2.6V: 6.8A
- 3) OPERATING VOLTAGE: -40°C TO +85°C
- 4) WEIGHT MAXIMUM: 12gr

2	61000012007	FLAT TAB	NICKEL 200 1/8"x0.005"	PC	2	
1	61153322020	TLM-1530HPM		PC	1	
N	PART NUMBER	NAME	DESCRIPTION	U	QT	NOTES



REARSIDE PRINT

UNLESS OTHERWISE SPECIFIED:		TLM-1530HPM/T P/N : 72153322150		OPERATION	
ALL DIMENSIONS ARE IN MM.					
TOLERANCES: LINEAR: ±0.5 ANGLES: ±1°					
ROUGHNESS: 					
SCALE: NON		PROD/PROJ: ?		DRAWN Peter Faigenboim 07/12/2017	
TADIRAN BATTERIES LTD		DESIGNED Peter Faigenboim 07/12/2017		SHEET/OF 01/01	
		CHECKED Eitan Pinhasi 07/12/2017			
		APPROVED Eitan Pinhasi 07/12/2017			
72153322151					