

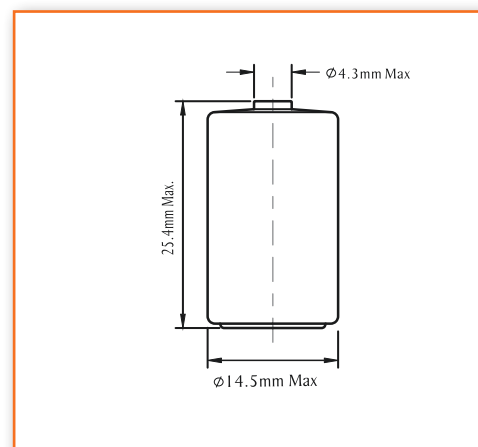


LITHIUM-THIONYL CHLORIDE BATTERY

PILE LITHIUM CHLORURE DE THIONYLE

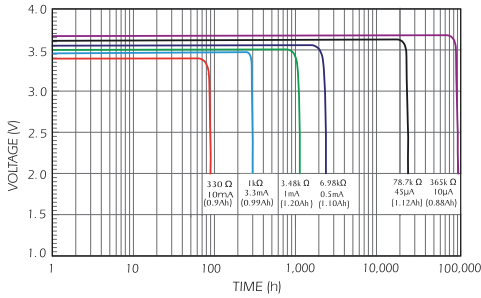
MAIN INFORMATION / INFORMATIONS GÉNÉRALES

SIZE	FORMAT	ER14250 - 1/2AA
BRAND	MARQUE	NX
TECHNOLOGY	TECHNOLOGIE	Lithium-thionyl chloride / Lithium Chlorure de thionyle (Li-SOCl ₂)
STRUCTURE	STRUCTURE	Bobbin
VOLTAGE	TENSION	3.6V
NOMINAL CAPACITY	CAPACITÉ NOMINALE	1.2Ah (at 1mA, +25°C, 2.0 cut off)
MAXIMUM CONTINUOUS DISCHARGE CURRENT		15mA
COURANT DE DÉCHARGE CONTINU MAXIMUM		
MAXIMUM PULSE CURRENT	COURANT PULSE MAXI	50mA (/0.1 sec. pulse, drained every 2 min at 25°C)
OPERATING TEMPERATURE	PLAGE DE TEMPÉRATURE	-60°C/+85°C
STORAGE TEMPERATURE RANGE		+30°C MAX
PLAGE DE TEMPÉRATURE DE STOCKAGE		
LITHIUM CONTENT	LITHIUM CONTENU	< 1GR
PROTECTION	PTC	No
DIMENSIONS	DIMENSIONS	
• DIAMETER / DIAMÈTRE		14.5mm (+/-0.5)
• HEIGHT / HAUTEUR		25mm (+/-1)
WEIGHT	POIDS	10gr
CERTIFICATIONS		UN38.3 / IEC60086-4 / UL

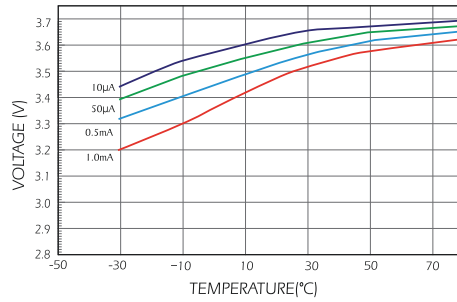


DISCHARGE CURVES / COURBES DE DÉCHARGE

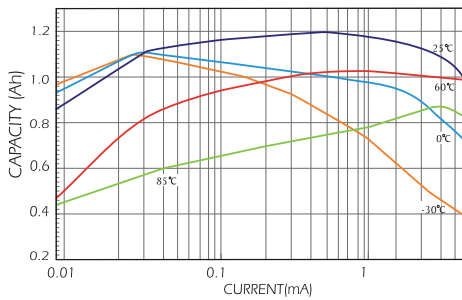
Typical discharge profile at +25°C (Median value)



Voltage plateau versus Current and Temperature (at mid-discharge)



Capacity versus Current and Temperature (2.0V cut off)



STORAGE CHARACTERISTICS

